

JWMFB3043 ECU Mounting Plate Retrofit Kit

General Installation Instructions

Description

This kit is designed to be installed in 3 locations on one ECU in order to support the coils should the coil support plates be damaged.

The plates should be installed just towards the inside of the existing two ECU supports, and then centered between the two.

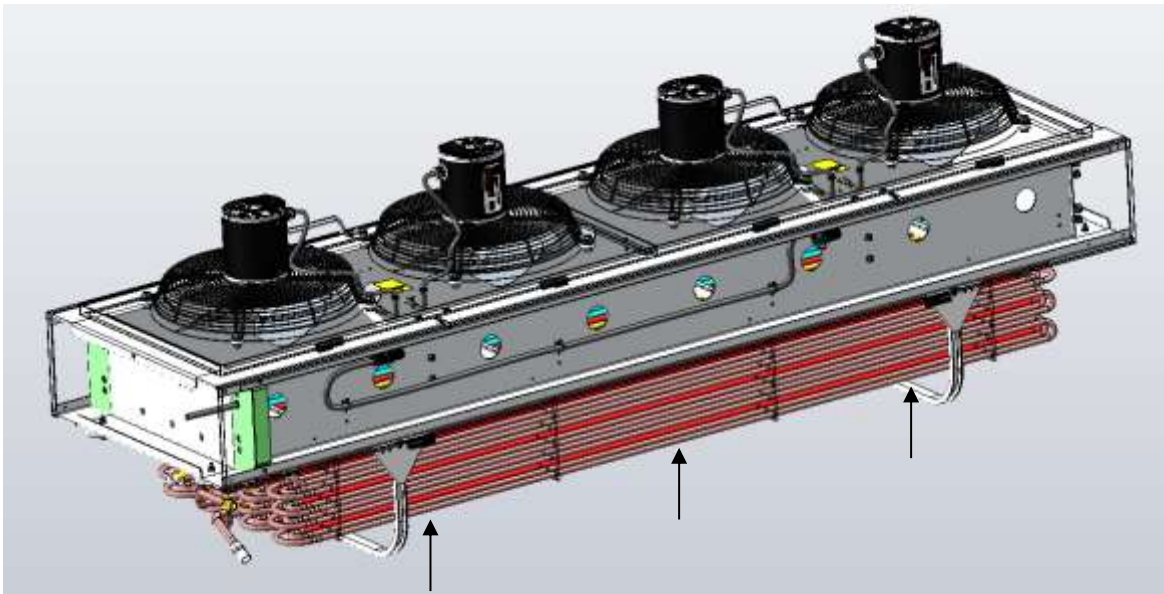


Figure 1: Retrofit installation locations



Figure 2: Field installation of retrofit kit

General Installation Instructions

1. Insert the FB90000858 middle shelf bars (3) between each row of coils in the area you wish to reinforce.
2. Use (10) MPT1191 Pan head screws to affix the (5) FB90000861 side hanging plates loosely. Do not fully tighten the screws.
3. Install the (6) FB90000868 top press bar using (15) FB90000827 self tapping screws. Do not fully tighten.
4. Add the (1) FB90000859 horizontal brace bar using (7) MP1022 screws.
5. Drill holes in the ECU to match those in the top of the side hanging plate.
6. Affix the side hanging plate to the ECUs using (7) (8) (9) screws, flat washers and lock nuts.
7. Tighten all screws fully.

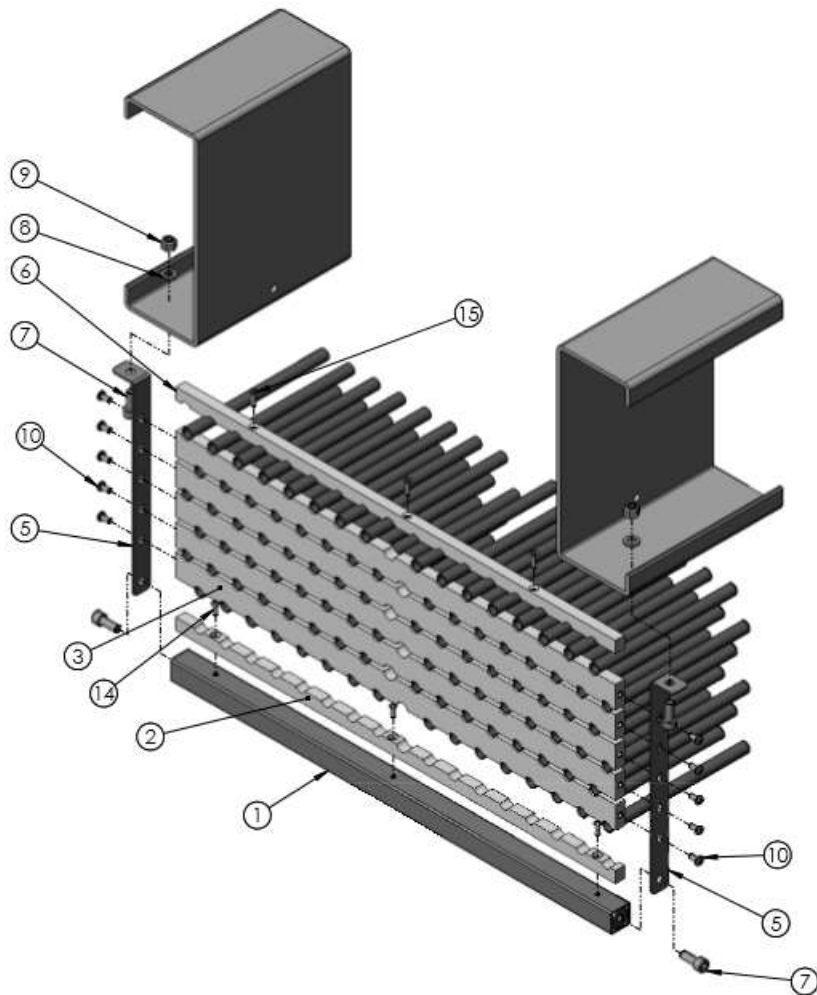


Figure 3: Retrofit kit components and installation